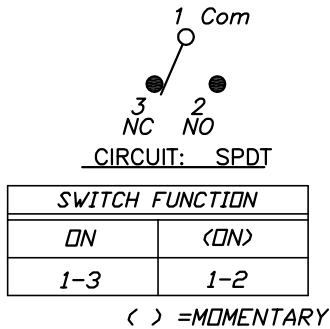
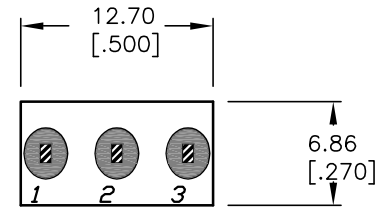
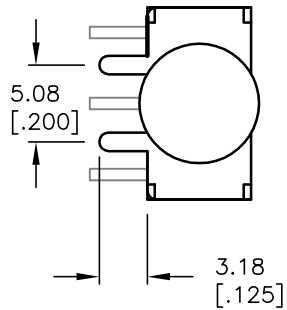


RECOMMENDED P.C.B. LAYOUT

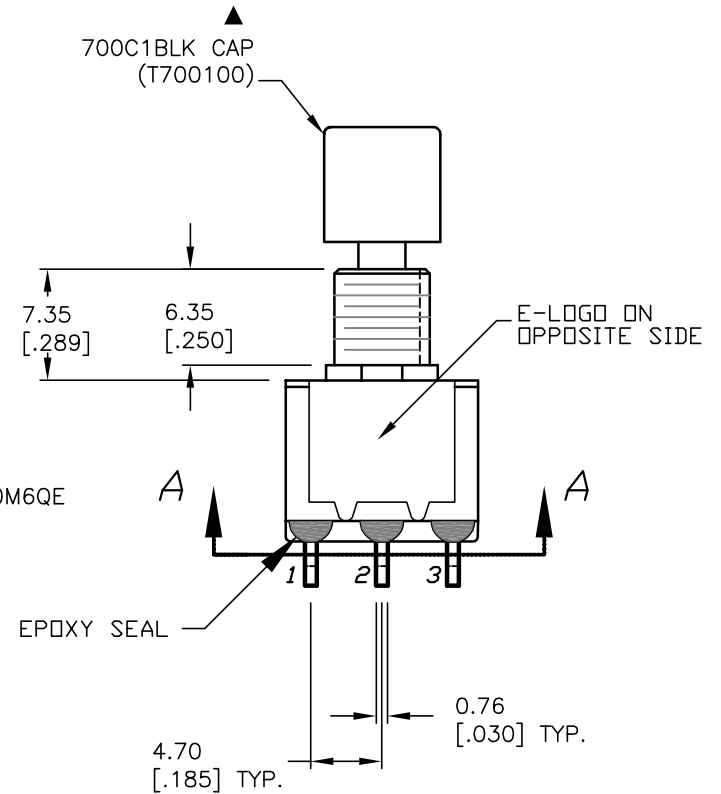
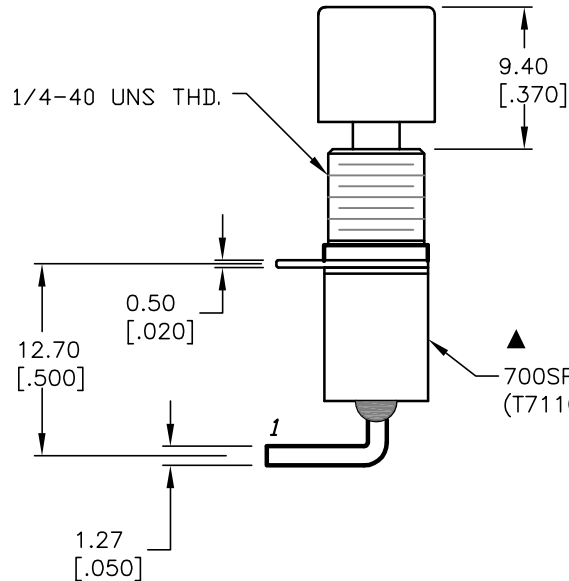


NOTES:

1. ALL DIMENSIONS IN MM [INCH]
2. GENERAL TOLERANCE: X.X=±0.4  
X.XX=±0.25
3. TERM. NOS. FOR REF. ONLY
4. RATING: 3A @120VAC or 28VDC  
1A @250VAC
5. FIXED TERM. & MOVING CONTACT:  
Copper Alloy w/Silver plate
6. CONTACT RESISTANCE: 10mILLI-ohms initial  
@2-4VDC
7. ELECTRICAL LIFE: 50,000 make-and-break  
cycles at full load.
8. INSULATION RESISTANCE: 1,000M ohm min.
9. DIELECTRIC STRENGTH: 1000V RMS @sea level
10. OPERATING TEMP.: -30°C to +85°C



SECTION A-A



**E-SWITCH®**

|                    |        |    |         |     |
|--------------------|--------|----|---------|-----|
| TITLE              |        |    |         |     |
| 700SP7B10M6QEC1BLK |        |    |         |     |
| SCALE              | DATE   | DR | DWG     | REV |
| 2:1                | 8/1/02 | AR | XT0072P | A   |

|      |         |                         |        |      |
|------|---------|-------------------------|--------|------|
| A    | 13993   | RELEASED FOR PRODUCTION | 5/6/04 | AR   |
| REV. | ECN No. | DESCRIPTION             | DATE   | CHKD |

THE INFORMATION CONTAINED IN THIS DOCUMENT IS PROPRIETARY TO E-SWITCH AND IS NOT TO BE COPIED OR TRANSFERRED